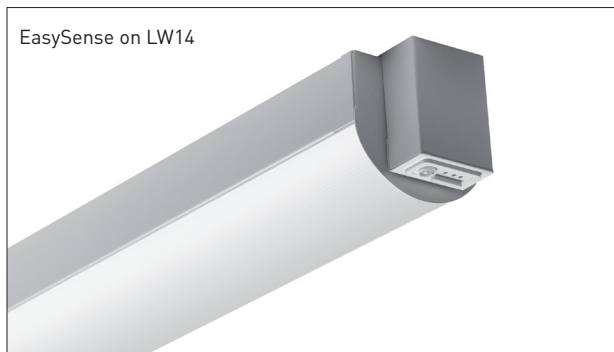


INTEGRAL LIGHTING CONTROLS

Featured Control: EasySense by Philips

Introduction to EasySense:

Mercury Lighting is now featuring the Philips EasySense luminaire-mounted lighting control sensor, in a selection of LED recessed and surface mounted series. (See availability matrix). Integrates easily with a Philips Advance Xitanium SR (sensor ready) LED driver. A downloadable App on an Android based smart phone is all that's needed for programming the EasySense sensor.

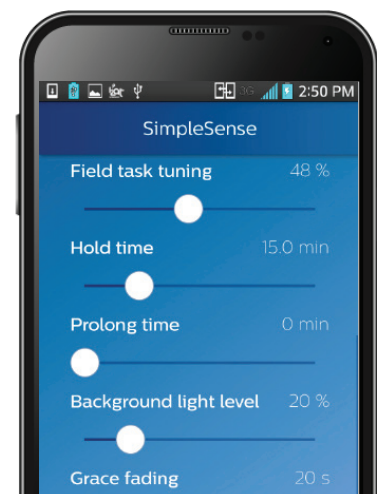


- Ideal solution for per-fixture, stand-alone control of LED luminaires.
- Combines occupancy sensing, daylight harvesting and institutional field tuning in a single, compact package.
- Operates within Mercury Lighting's systems component approach; a Philips Xitanium SR driver along with Philips complimentary LED modules.
- A simple two-wire connection between sensor and driver eliminates the need for multiple components and auxiliary devices.
- The result is a cost effective and easy to use lighting controls solution.
- Applications include typical indoor environments; open or private offices, conference rooms, classrooms, corridors, etc.
- Ideal for energy-savings and code-compliance strategies.
- An intuitive App makes configuration during installation fast and easy.

Features of EasySense:

PHONE BASED APP

- EasySense sensor uses NFC technology (Near Field Communication). Communicates with a smart phone loaded with Philips Field Apps.
- **Philips Field Apps works only on Android based smart phones:**
 - Samsung S3, S5, S4 mini, Samsung Note 3.
 - LG G2, G3, LG Nexus 5.
- Download from Google Play.
<https://play.google.com/store/apps/details?id=com.philips.fieldapps&hl=en>
 (Authentication with user ID and password may be required).



OCCUPANCY BASED CONTROL

PIR (Passive Infrared) sensor detects both major and minor human movements. A person walking into an area is major movement. A person sitting at a desk reaching for a telephone, turning the pages of a book, opening a file, picking up a coffee cup is minor movement.

- **Switched on Level:** Once movement is detected sensor puts luminaire into switched on level. (100% of luminaire output). As long as movement is detected luminaire stays in switched on 100% level.
- **Hold time:** Once the last movement has been detected (Occupant has left the room) until sensor dims luminaire. Defaults at 15 minutes, can be adjusted to 1-120 minutes.
- **Background light level/Standby mode:** Light level when space is unoccupied, can be adjusted to 5-100%.
- **Prolong time:** Amount of time in standby mode, can be adjusted to 0- infinity.
- **Grace fading time:** Time it takes from 100% full on mode to standby mode. Defaults at 10 seconds, can be adjusted to 0-25 seconds.
- **Enable/Disable:** Ability to turn off sensor.

DAYLIGHT HARVESTING

The light sensor is a photo diode that reads average illuminance in Candela per m2. The intensity of the illuminance depends on the amount of artificial and/or natural light supplied in the office as well as how well this light is reflected towards the ceiling/sensor. The EasySense converts the illuminance signal into ON/OFF or dimming commands to the SR driver in order to get a constant light level on the desk.

- **Daylight based control is enabled by default.** The light sensor is auto calibrated every time the sensor is switched on, meaning when the driver mains is switched on.
- **Maintains constant light level:** The light level of the luminaire is bounded by Field task level (maximum light level) and background level (minimum light level). If Background light level is set to be 20%, during daylight harvesting, the light will only dim down to 20%.

FIELD TASK TUNING

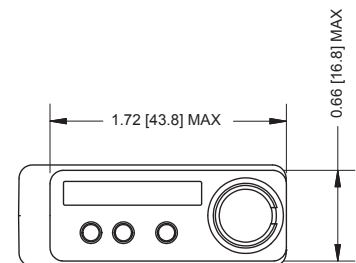
A feature to reduce the maximum output of the luminaire to a certain percentage.

- **Light level too high:** After installation the task light level is not according to the end user needs.
- **App based control:** Task light level can be adjusted by installer or building maintenance personnel into a value between 5% and 100% of the max setting through the App.

AVAILABILITY MATRIX

| LR Recessed Series | LW Surface Series |
|--------------------|-------------------|
| LR202-S | LW2 |
| LR205-S | LW3 |
| LR225-S | LW4 |
| LR226-S | LW5 |
| | LW14 |
| | LW15 |

PART NUMBER ADDER: S1
 EX: LW2-4-3800-35K-SXX-UNI-S1
 EX: LR202-S-22G-3800-35K-SXX-UNI-S1



PRELIMINARY SPECS