

## INTEGRAL LIGHTING CONTROLS

Featured Control: FS-D22 (LR Series Recessed Luminaires) or  
CS-D2 (LW Series Non-Recessed Luminaires) by Enlighted

### Introduction to Enlighted FS-D22/CS-D2:

Mercury Lighting is now featuring the Enlighted FS-D22 and CS-D2 luminaire-mounted lighting control sensors, in a selection of LED recessed and surface mounted series. (See availability matrix). Integrates easily with a Philips Advance Xitanium SR (sensor ready) LED driver. This small and sleek node includes digital PIR (passive infrared) for occupancy control and ambient light sensing for daylight harvesting applications. Includes a Bluetooth 4.0 BLE radio for beaconing. Operates seamlessly to create a comfortable and an energy responsible environment. Communicates data wirelessly to the Enlighted control network.

**enlighted**  
PARTNER

Enlighted on LR2T-S



- An advanced lighting control system with both a cost effective and easy set-up reality.
- Ideal solution for intelligent control and performance of Mercury Lighting's state-of-the-art LED luminaires.
- Combines occupancy sensing and daylight harvesting in a low profile architecturally and aesthetically pleasing node.
- Also provides temperature sensing and distribution reporting for intelligent building management.
- Applications include typical indoor environments; open or private offices, conference rooms, classrooms, corridors, etc.
- Ideal for energy-savings and code-compliance strategies.

Enlighted on LR205-S



### Features of Enlighted FS-D22/CS-D2:

#### LOCALIZED CONTROL:

Local microprocessor and memory in each sensor enable a sequence of operation at the fixture, eliminating dependence on any other network component once system setup is completed.

#### SOFTWARE-DRIVEN:

Light-level schedules, preferences and behavior settings definable for each fixture are saved in the sensor's local memory as a software profile. Profiles are wirelessly communicated to sensors during system setup and can be easily modified when desired.

PRELIMINARY SPECS

**OCCUPANCY SENSING:**

Digital PIR detection is supplemented with data from the ambient light sensor for precise detection of changes in the coverage area and minimized false tripping.

**BLUETOOTH 4.0 LOW ENERGY (BLE):**

Incorporates a BLE radio and broadcasts beacons. Beacons can be turned on or off using the Enlighted Energy Manager.

**MANUAL-ON/VACANCY SENSING:**

When paired with the wireless Enlighted Room Control (WS-2-00), the sensor acts as a vacancy sensor providing code-compliant manual-on/ auto-off capability.

**DAYLIGHT HARVESTING:**

An ambient light sensor captures light level data from the coverage area. The sensor then interprets this data and transmits code-compliant control commands to the LED driver to raise and lower light levels based on available daylight.

**THERMAL SENSING:**

Reports the ambient temperature at the sensor location.

**ZONE CONTROL:**

Sensors can be grouped into zones, thereby allowing multiple fixtures to share occupancy sensing data and respond simultaneously to occupant motion patterns in specific building areas.

**FULL REPORTING FUNCTIONS:**

Local occupancy, power consumption, light levels, and temperature data collection compatible with Enlighted’s control network enables deep, insightful reporting and analytics.

**STANDARDS-BASED NETWORKING AND SECURITY:**

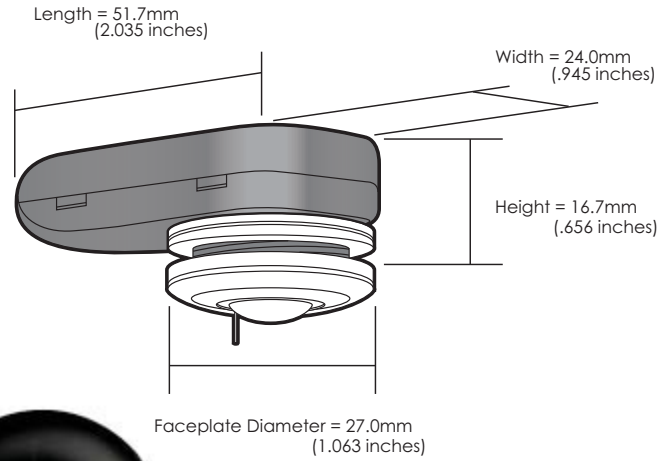
Adhering to the 802.15.4 wireless protocol, transmitting in bursts and appropriately selecting low-traffic channels, the Enlighted wireless network reliably coexists with Wi-Fi networks. AES-128 encryption provides robust data security.

**SIMPLE AND LOW-COST INSTALLATION:**

Single wiring connection in fixture only with no other above ceiling wiring required. One sensor-per-fixture approach simplifies the installation process.

**LIGHTING TECHNOLOGY COMPATIBILITY:**

Sensor dimming and on/off signals are compatible with the Philips Xitanium SR LED driver (model # XI040C110V054VPT).



FS-D22

CS-D2

AVAILABILITY MATRIX	
LR Recessed Series	LW Surface Series
LR202-S	LW2
LR205-S	LW3
LR225-S	LW4
LR226-S	LW5
	LW14
	LW15

**PART NUMBER ADDER:**  
**S4 = FS-D22** (All Recessed Luminaires)  
**S5 = C2-D2** (All Non-Recessed Luminaires)  
 EX: LW2-4-3800-35K-SXX-UNI-S7  
 EX: LR202-S-226-3800-35K-SXX-UNI-S8

PRELIMINARY SPECS